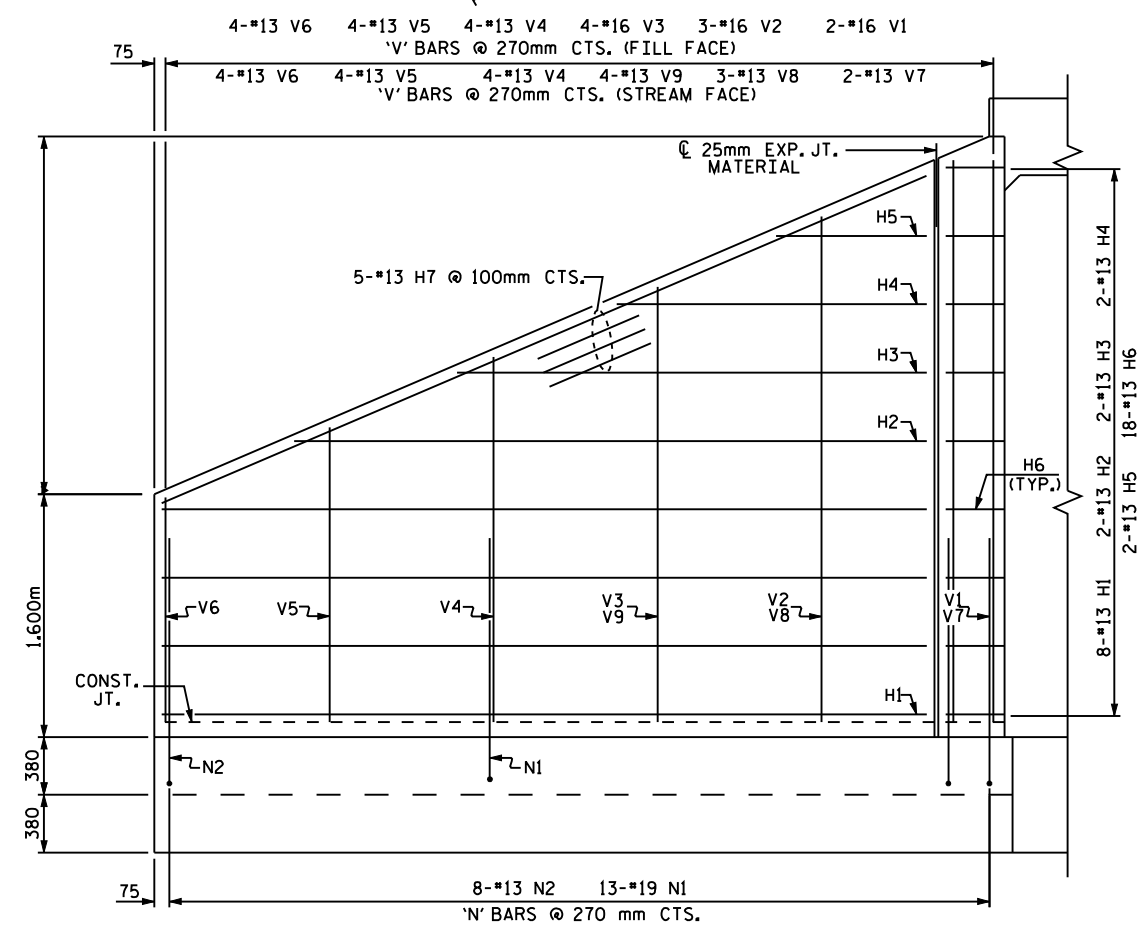
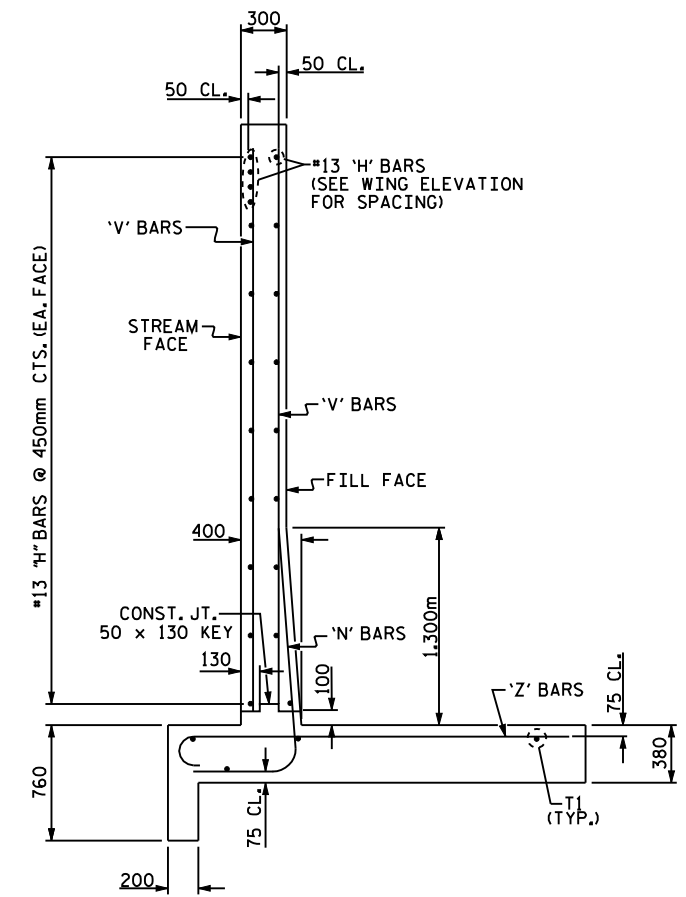


PLAN



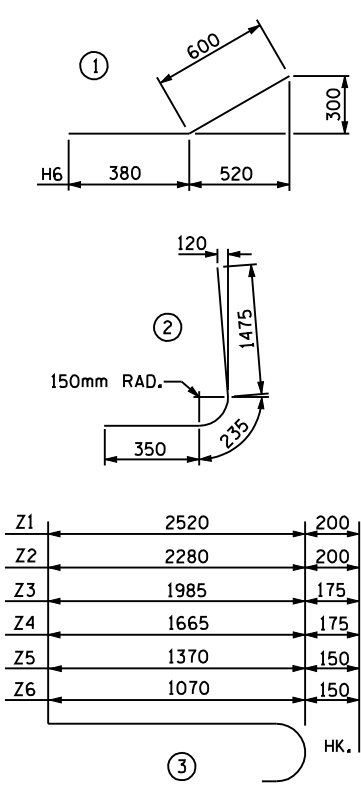
ELEVATION



TYPICAL WING SECTION

BAR TYPES

ALL BAR DIMENSIONS ARE OUT TO OUT.



BILL OF MATERIAL

BAR NO.	SIZE	TYPE	LENGTH	WEIGHT	
H1	32	13	STR	5040	160
H2	8	13	STR	4160	33
H3	8	13	STR	3120	25
H4	8	13	STR	2080	17
H5	8	13	STR	1060	8
H6	72	13	1	980	70
H7	20	13	STR	5480	109
N1	32	19	2	2060	147
N2	52	13	2	2060	106
S1	12	19	STR	1800	48
T1	16	16	STR	5600	139
V1	8	16	STR	3720	46
V2	12	16	STR	3360	63
V3	16	16	STR	2880	72
V4	32	13	STR	2420	77
V5	32	13	STR	1940	62
V6	32	13	STR	1480	47
V7	8	13	STR	3720	30
V8	12	13	STR	3360	40
V9	16	13	STR	2880	46
Z1	8	19	3	2720	49
Z2	16	19	3	2480	89
Z3	16	16	3	2160	54
Z4	16	16	3	1840	46
Z5	16	13	3	1520	24
Z6	16	13	3	1220	19

REINFORCING STEEL FOR 4 WINGS 1626 kg  
 CLASS A CONCRETE  
 4 WINGS 39.5 m<sup>3</sup>  
 2 HEADWALLS m<sup>3</sup>  
 2 END CURTAIN WALLS m<sup>3</sup>  
 TOTAL m<sup>3</sup>

ASSEMBLED BY : \_\_\_\_\_ DATE : \_\_\_\_\_  
 CHECKED BY : \_\_\_\_\_ DATE : \_\_\_\_\_  
 DRAWN BY : FPP 06/97  
 CHECKED BY : VAP 06/97

PROJECT NO. \_\_\_\_\_  
 \_\_\_\_\_ COUNTY  
 STATION: \_\_\_\_\_  
 SHEET OF \_\_\_\_\_  
 STATE OF NORTH CAROLINA  
 DEPARTMENT OF TRANSPORTATION  
 RALEIGH  
 STANDARD WINGS  
 FOR  
 CONCRETE BOX CULVERT  
 H = 3.700m SLOPE = 2 : 1  
 90° SKEW

REVISIONS					SHEET NO.
NO.	BY:	DATE:	NO.	BY:	DATE:
1			3		
2			4		